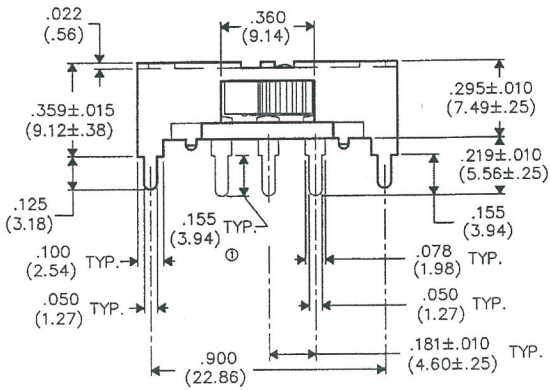
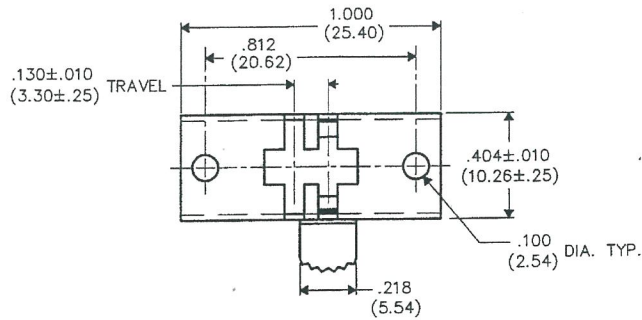


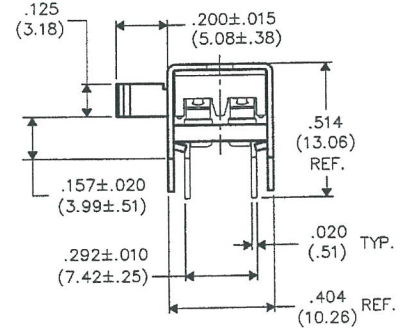
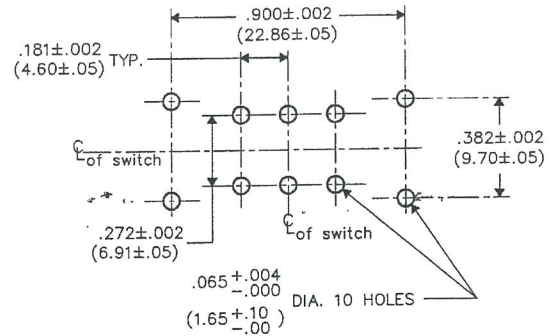
DIMENSIONS IN INCHES (MILLIMETERS)  
DO NOT SCALE DRAWING .....

Dwg. No.  
**GPI-152-0016**

E  
D  
C  
B  
A



**P.C. LAYOUT**



1 2 3 4 5 6 7 8 9 10

B-FORMAT 2002	<b>REVISIONS</b>	
	0	1
	RELEASED DGW 2-28-2003 Mar. 10, 2003	REDRAWN-.155 WAS .181 FOR TERMINAL LENGTH. DGW 2-06-2006 G.G. FEB 16 2006

**ATTENTION**

THIS DRAWING AND ITS ATTACHMENTS, IF ANY, ARE PROPRIETARY TO CW INDUSTRIES AND DESCRIBE DESIGNS THAT ARE CONFIDENTIAL AND MUST NOT BE DISCLOSED UNLESS AUTHORIZED, IN WRITING, BY AN OFFICER OF CW INDUSTRIES.....

<b>CW INDUSTRIES</b> Southampton, Pa. 18966	
TOLERANCES UNLESS OTHERWISE SPECIFIED	
2 Place Decimal ±.010	METRIC
3 Place Decimal ±.005	1 Place Dec. ±.25mm
Angles ..... ±1°	2 Place Dec. ±.13mm
Made for: CW IND.	
Drawn by: DGW 2-28-2003	
Checked by: <i>B. Guld</i> 2-16-06	
Approval: <i>J. Flynn</i> 2-16-06	

Title:	SWIDGET ASSEMBLY D.P.- D.T. SYDEWYNDER (PLUG-IN)
Division:	SWITCH
Dwg. No.	GPI-152-0016

MASTER